

SHOWLIGHT LED Followspot 350/350DMX

User Manual

 МУЗЦЕНТР
МУЗЫКАЛЬНОЕ ОБОРУДОВАНИЕ

<https://muzcentre.ru/>



Welcome you to purchase and use 350W LED Follow light, please read this manual carefully before using the products.

[statement]

The product has passed all the test of company's test departments before sale, it is a qualified products, when you receive the products, please check the products and the

packing is intact, then open the package, and check the accessories is complete.

[unpacking and installation]

please put the package on the flat ground up according the up mark on the package, open the packaging , and take out the accessories carefully, please holding the light's handle when you take out the light, then put the light on the flat ground,

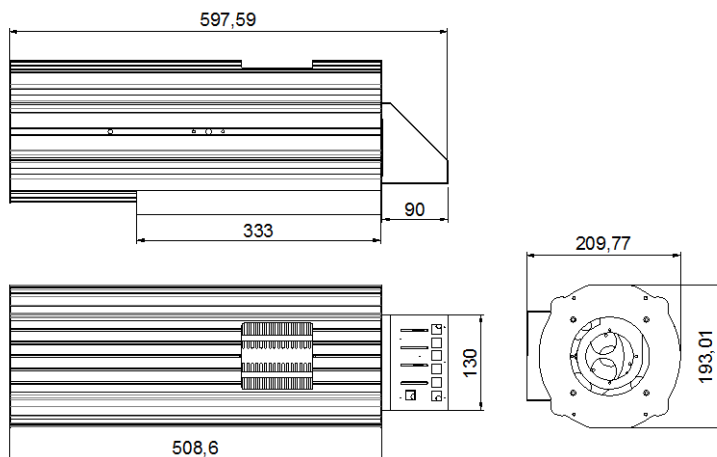
[product description]

350W LED Follow Spot Light with high-power LED chip. Suitable color temperature, high color rendering. Light body with all-aluminum materials, volume small size with light-weight, high brightness. High-power fan cooling system to ensure the safety LED Chip, can stability of continuous work. The lights can Close-up of the characters and scenery in stage lighting, theater, film and stadiums and other places

[Technical parameters]

- Power: AC220V-240V/50-60Hz
- Rated power: 600W
- color temperature: 3200K/4500/6500/8500K
- Lamp: LED 350W import LED
- Average life: 50000H, control lamp on/off
- Color: 5 colors + white(ROYGBW)
- Zoom: adjust the room big or small, manual adjustment the definition
- Strobe: 1-11hz/S
- projection distance: 5-50meters/5-120meters
- Cooling system: use 6piece 8 mm thick copper tube heat conduction through 66 pieces of large aluminum radiator, ensure the LED bead heat cooling, make the light within the normal range, guarantee the life of lamp bead.
- If the temperature is too high, will Trigger high-pressure protection, use new aluminum exterior design, the light is beauty and generous
- Light size: 598*193*210mm
- Light weight: 12KG
- Carton size: 740*350*280CM
- Gross weight
- Bracket size
- Bracket weight
- Air Box size
- Air Box weight

[size]



[Attention]

- Warning! The beam moving head light is used by professionals. Non-professionals do not use it alone in case of danger.
- The following unhealthy phenomenon will appear for improper use. The leakage of case will appear for the bad connection between power and ground. The ultraviolet radiation from the light source, the explosion of bulb and the poor lamp holder will cause the falling of the body of light.
- Reading the manual carefully before you turn on the power and install the light. Following all the safety precaution, following instruction and all the warning.
- Prevent the electric shock.
- Please cut the AC power when you replace bulb, fuse, any other parts and not in use.
- Keeping good grounding state between power and ground wire.
- Comply with the power stand of specification requirement and install the grounding facilities that with overload protection device.
- Prevent the attack by ultraviolet radiation and bulb explosion.
- Don't operate the moving head light that direct emit strong light don't through optical lens filter.
- Turn off the power source and ensure the temperature of light not obviously higher than environment temperature.
- Don't straight look at the bright mouth of light
- Prevent from person burns or field on fire
- Don't make the directly short circuit between temperature control switch and fuse. Renewal the defective temperature control switch or the fuse as the original type.
- Keep the flammable materials (alcohol, gasoline, paper) away the light at least 1 meter. In case to ignite other flammable object for the over temperature of light body.
- It can't close fire for long time in 1 meter. For the light not belong to non-combustible materials.
- Don't put filter or other items on the three lens of the light.
- The surface of the light will become hot after long time using. So you exchange the bulb or other parts until it cooling to the room temperature.
- Do not repair or installation the light by use of the accessories that not approved by the original factory.
- Do not use the light when the around temperature over 40 degrees.
- Prevent the accident for the falling of the light
- Do not raise the light alone
- Don't use the light hook and fixture that don't meet the requirement of instruction manual.
- Set up barriers around the work area whenever you installation or take down the light and prevent the non-operate enter.

[Maintenance and repair]

• Attention

Regular level 3 maintenance of light

Check the tension of screw firmness that operating within the light (color dish's fixed screw)

Clean up the dust and debris and keep the light clean.

Clean the glass lens within the light (reflectors, color piece, corrugated mirror etc.)
The excessive dust, smoke and particles can be eroding appearance of light even damage equipment for overheating
Off the power before detach shell of light

Danger !!!
Please off power before maintaining.

• **Cleaning**

Disconnect the power, cool light completely. Remove the lamp cover.

Use a vacuum cleaner or air compressor produced gas to remove the dust of surface of light.

Optical lens need clean every week, or it will reduce brightness.

Cooling fans need clean monthly. Ensure the vent fan smooth to ensure the cooling effect of the bulb.

Check gas nets, such as clean up jam filter, change filter gas nets when needed.

The clean of gobo must use soft brush. Light internal clean at least six months, can use the vacuum cleaner or air compressor produced gas removal dust.

Color pieces, gobo pieces and the optical mirror need to clean monthly.

Clean optical element be careful, It is easy to stroke and damage of optical components surface, don't using liquor, it may damage the coating surface of optical lens.

In order to ensure the normal function of gobo wheel and focus, we suggest add lubricating oil in the bearings every six months. Remember: oil cannot too much, especially the gobo wheel, or it will cause other problems for the oil would flow when gobo wheel or gobo rotation.

Clean PCB board every three months (too much dust and dirt can lead to PCB work un-normal); Please with soft brush or air compressor produced gas to remove dust (air pressure can not be too strong).

Lamps and lanterns without any useful things except bulb insurance tube,

Please installation and replacement bulbs according to the instructions of the manual.

Replace insurance pipe

If you want to change insurance tube, please replace with original (including current voltage, etc.)

Please draw power plug before replacement insurance pipe, avoiding dangerous!

Products guaranteed repairing card

Product name; **The product model:** **Manufacturing date:**

The final user : **Purchase date :**

Unit name : **distributor :**

To address : **contacts :**

Contact : **contact number :**

Contact number : **seal:**

Description: the above blank must be written by the final user and point of sale truthfully fill in, stamp, or without warranty.

Warranty: this product is guaranteed for one year since the acquisition date.

The warranty terms:

1, Under the condition of normal usage within the warranty period, any breakdowns caused by our products' own quality can get the free repair from our designated service center or production factory department by showing the warranty card and effective documents (or copies), according to this warranty terms,.

2, Under warranty, the following circumstance will implement compensated maintenance services.

- (1) cannot show the effective warranty card,
- (2) the warranty card with leakage remember, alteration and no sales names;
- (3) fault and damage are caused by force majeure;
- (4) fault and damage are caused during the transportation or move of discharge;
- (5) the damage is caused by the inappropriate usage because of not according to the instructions;
- (6) the damage is caused by without manufactures' authorization or non-professional workers who remove, Repair, or refit the products .
- (7) due to the use of the approved or not factory matching lost not fill control system and cause trouble.
- (8) consumables (bulbs)

3, warranty card please safekeeping.